

A
B
C
D
E
F

1

2

3

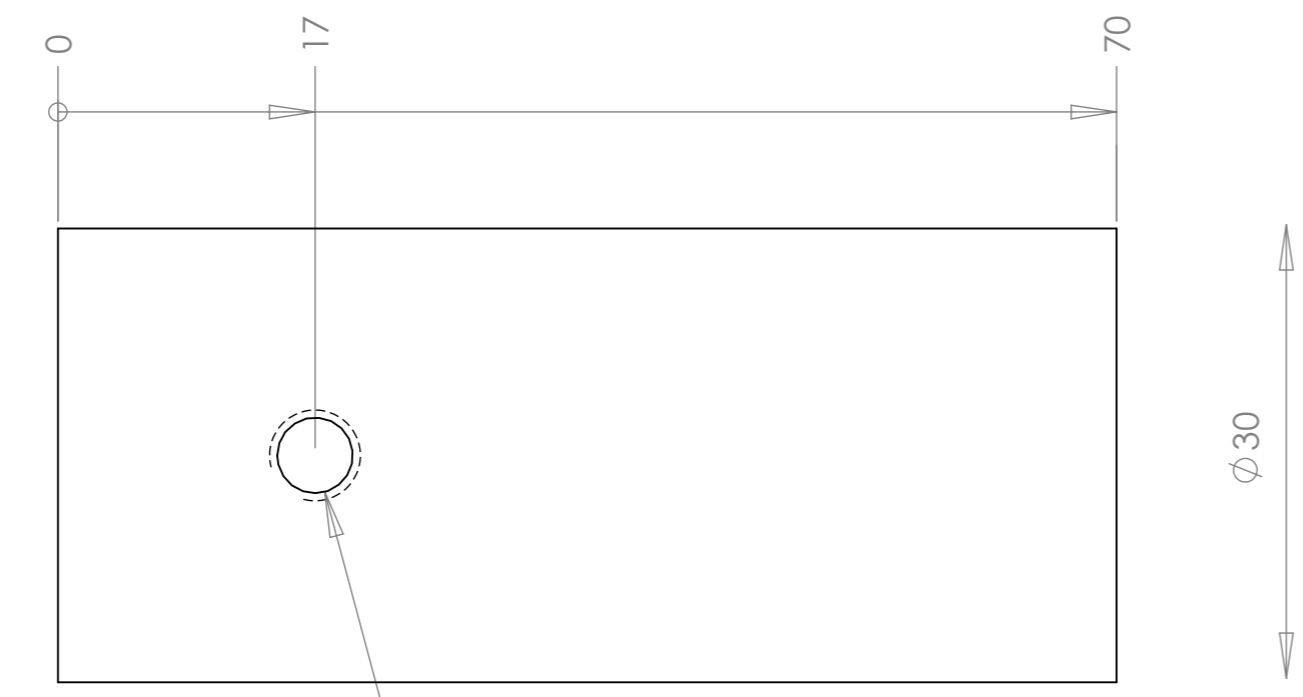
4

5

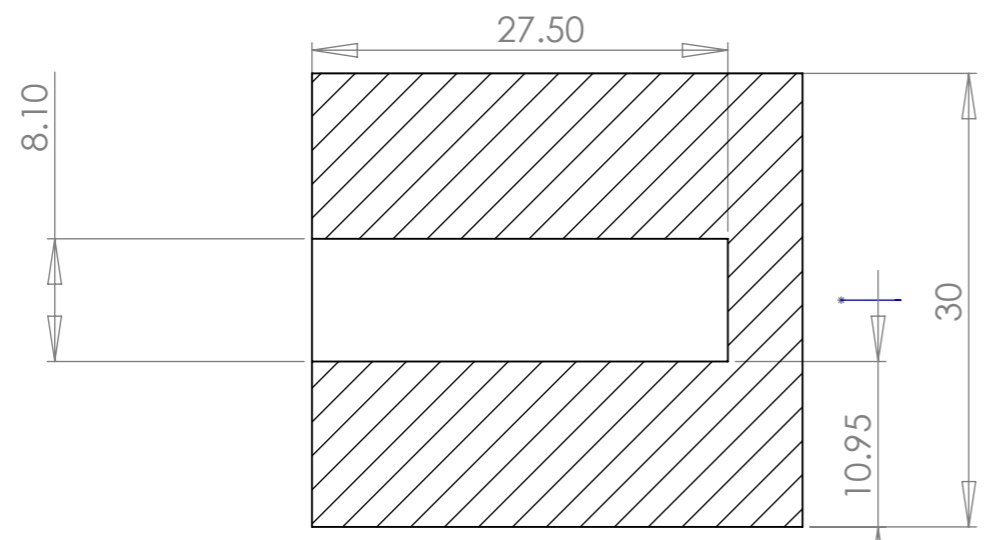
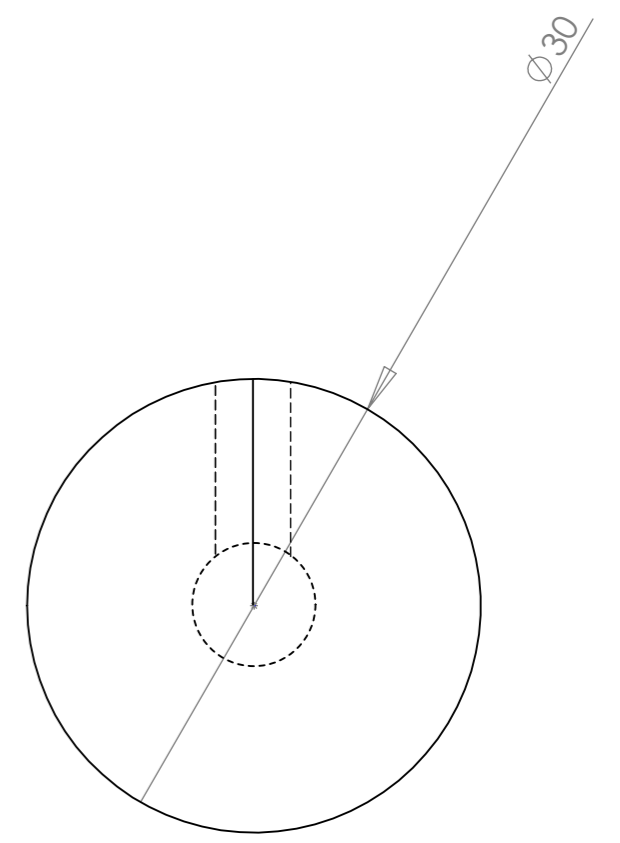
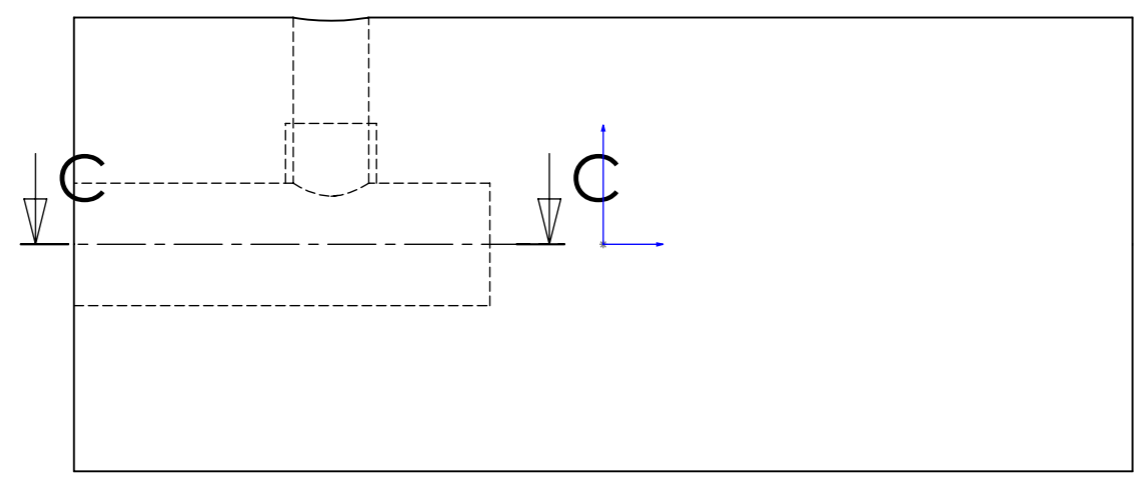
6

7

8



Ø 5 THRU ALL
M6x1.0 - 6H THRU ALL



SECTION C-C

DIMENSIONS ARE IN MM
TOLERANCES:
ANGULAR: ±0.5°
0 DECIMAL PLACES ±0.5mm
1 DECIMAL PLACES ±0.2mm
2 DECIMAL PLACES ±0.1mm
DO NOT SCALE DRAWING

DRAWN BY A Walker DATE 15/11/11
MATERIAL FINISH Clean and Deburred

15 11 11 Roller
SCALE 2:1



Adam Walker
adam@magnificentrevolution.org
07736327958