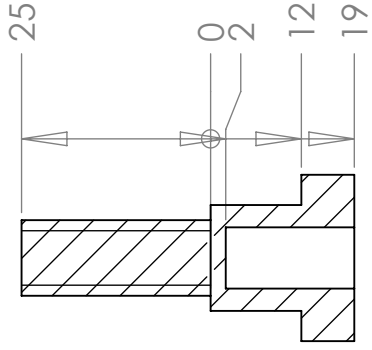
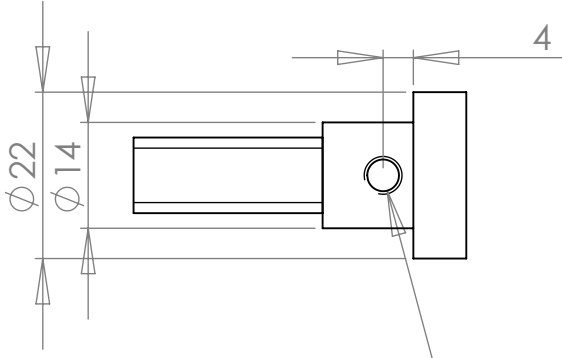
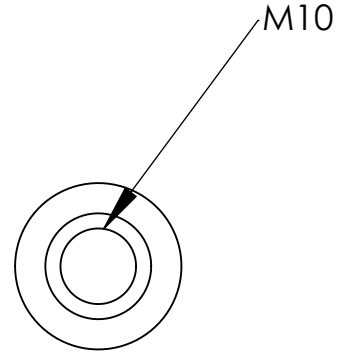
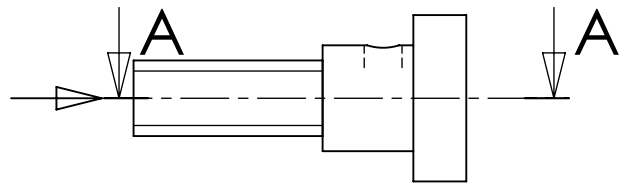
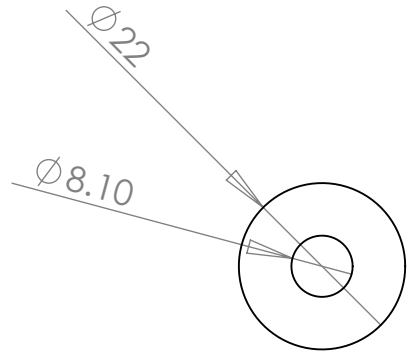


Version	Date	Change
V1		Original
V2	21/06/07	Length of Thread Increased



SECTION A-A



Ø 4.20 THRU ALL
M5x0.8 - 6H THRU ALL

MATERIAL: Aluminium	DWG NO. Conversion Pin V2	A4
WEIGHT:	SCALE:1:1	SHEET 1 OF 1